

# ARKIMEDE 10 - PAVING



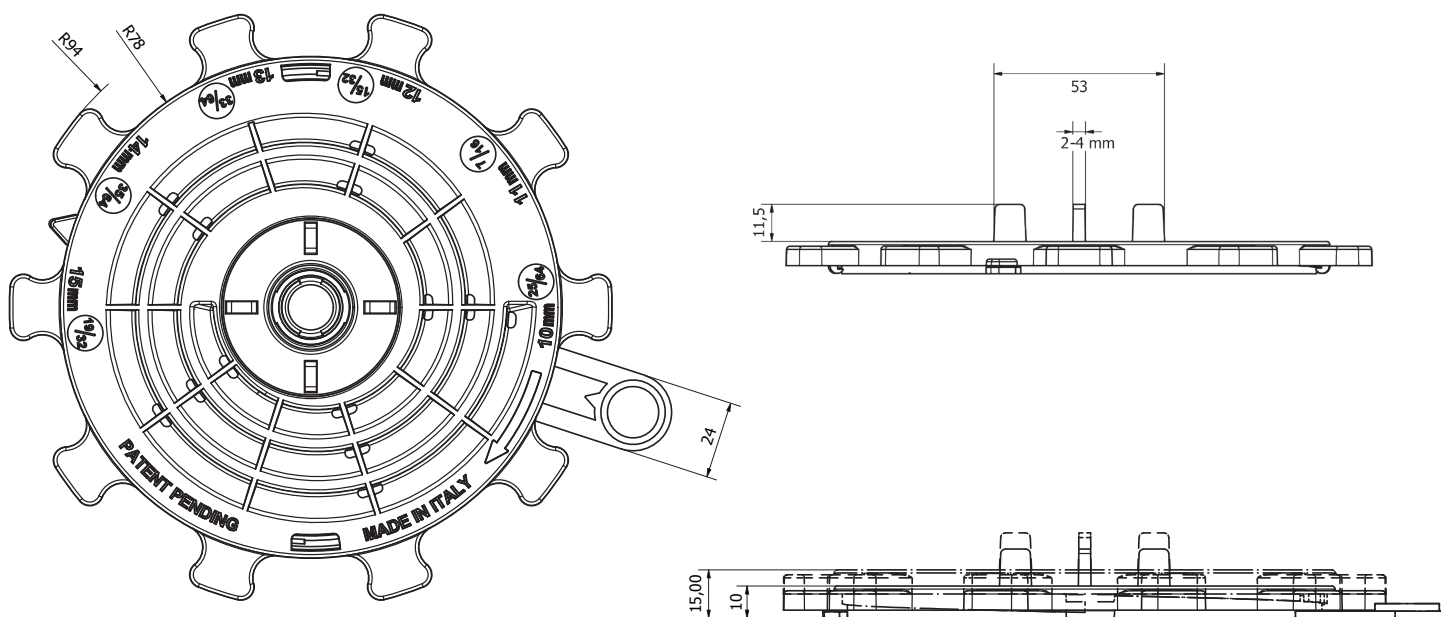
## INDEX

1. Code Registry
2. Description
3. Use
4. Fields of use
5. Load Test
6. Technical Specification

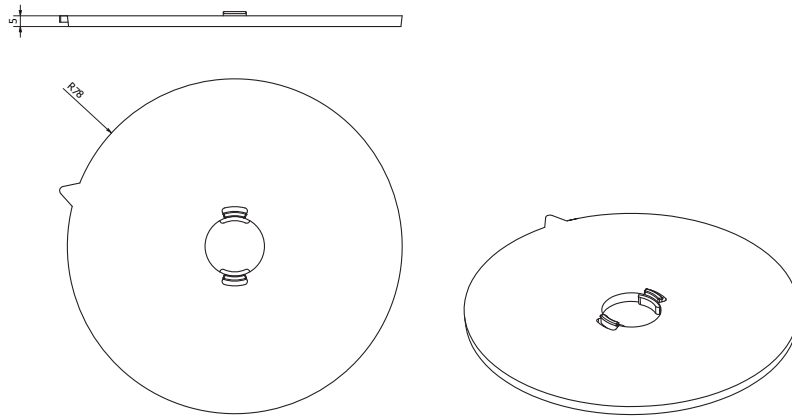
## 1. CODE REGISTRY

Code	Description	Dimension (mm)	Weight (kg)	Pkg. / Pallet
TER09-1147/4A2M	Arkimede 10 - Spacer tabs thickness 2 mm h. 10 mm	from 10 to 20	0,170	30 pcs / 810 pcs
TER09-1147/4A4M	Arkimede 10 - Spacer tabs thickness 4 mm h. 10 mm	from 10 to 20	0,170	30 pcs / 810 pcs

**MATERIAL** Made of PP (polypropylene).



# ARKIMEDE 10 - PAVING



## 2. DESCRIPTION

ARKIMEDE 10 support with adjustable height starting from 10 mm.

Base laying surface: 191 cm<sup>2</sup>.

Head and base diameter: 156 mm with a laying surface of 191 cm<sup>2</sup>.

Available versions:

- Box composed by adjustable support and head with 4 spacer tabs of 2 mm thickness and **5 mm extension**.
  - Box composed by adjustable support and head with 4 spacer tabs of 4 mm thickness and **5 mm extension**.
- The base allows the correct water drainage.

## 3. USE

Used in external areas, terraces, pavements.

Operating temperature: -40°C / + 80°C

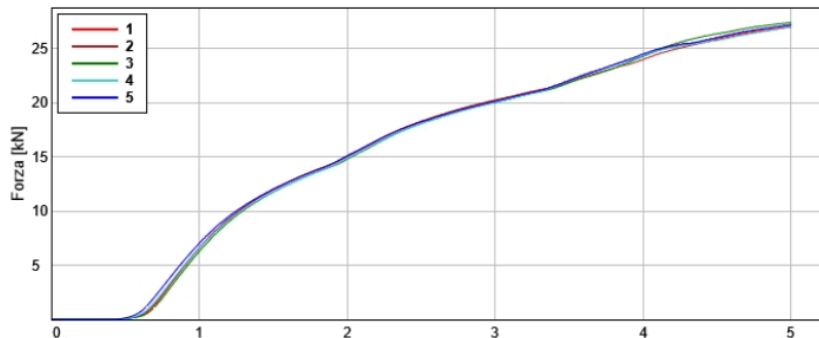
**The use of polishing and sanding machines is not recommended.**

## 4. FIELDS OF USE

Waterproof membrane, hard insulating panels, screeds and solid and compact pose plans.

## 5. LOAD TEST

Average maximum load value 11.9 kN.



## 6. TECHNICAL SPECIFICATION

Specification	Description	Unity	Price
<b>Dak.O.TER09-T147/4AxM</b>	Supply and installation of ARKIMEDE 10 DECKING support with adjustable height starting from 10 mm to a maximum of 20 mm. Base laying surface: 191 cm. Head diameter: 120 mm with a laying surface of 113 cmq. Available versions: • Box composed by adjustable support and head with 4 spacer tabs of 2 mm thickness and 5 mm extension. • Box composed by adjustable support and head with 4 spacer tabs of 4 mm thickness and 5 mm extension. • Box composed by the base, rotating nut and head with 1 tab for joists and 5 mm extension. The base allows the correct water drainage. Made of PP (polypropylene). Used in external areas, terraces, pavements.	pcs	-
<b>Dak.O.TER09-T147/4A2M</b>	4 tabs - 2 mm.....	pcs	-
<b>Dak.O.TER09-T147/4A4M</b>	4 tabs - 4 mm.....	pcs	-