

# ARKIMEDE 60 - PAVING



## INDEX

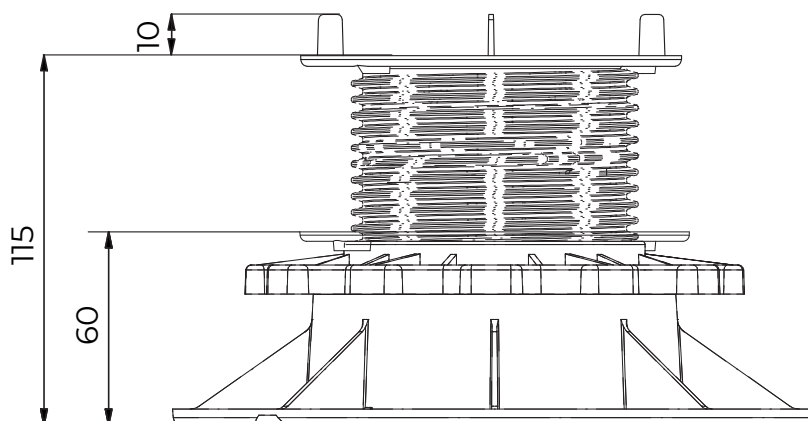
1. Code Registry
2. Description
3. Use
4. Fields of use
5. Load test
6. Technical specification

## 1. CODE REGISTRY

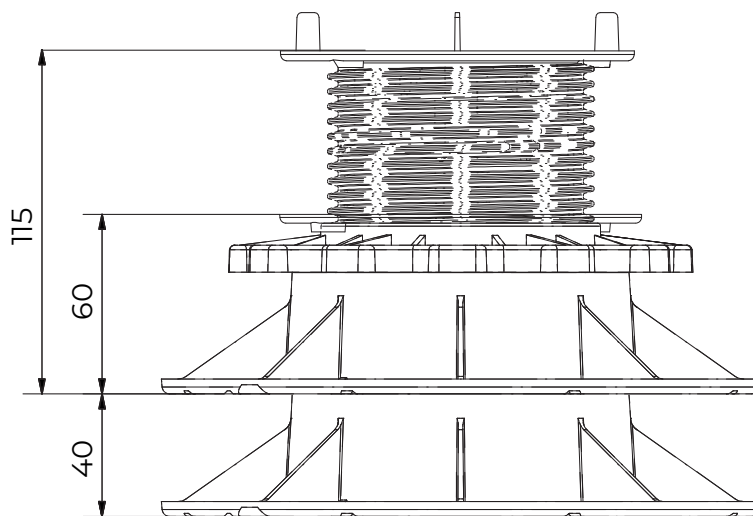
Code	Description	Dimension (mm)	Weight (kg)	Pkg. / Pallet
TER09-1163/4A2M	ARKIMEDE 60 Paving 4 spacer tabs for 2 mm joint	from 60 to 115	0,24	30 pcs. / 450 pcs.
TER09-1163/4A4M	ARKIMEDE 60 Paving 4 spacer tabs for 4 mm joint	from 60 to 115	0,24	30 pcs. / 450 pcs.

### MATERIAL

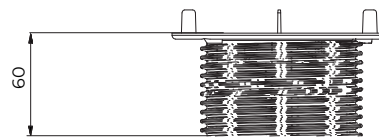
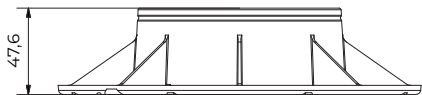
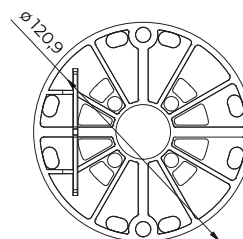
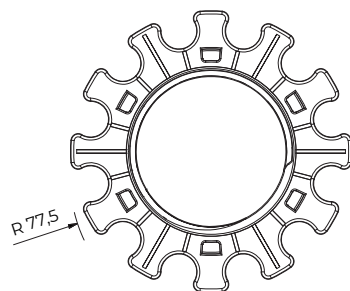
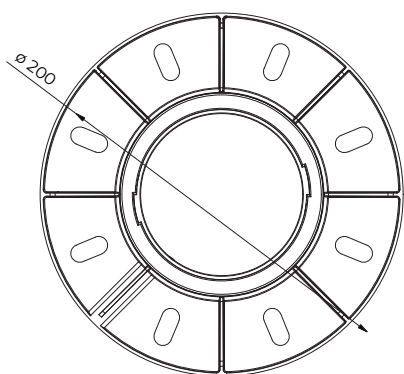
Made of PP (polypropylene).



# ARKIMEDE 60 - PAVING



Each base has a special bottom shape that allows to be stack on another base.



## 2. DESCRIPTION

ARKIMEDE 60 Paving support with adjustable height starting from 60 to 115 cm (without 50 and 100mm extensions).

Base laying surface: 314 cm<sup>2</sup>.

Head diameter: 120 mm with a laying surface of 113 cm<sup>2</sup>.

Available versions:

- Box composed by the base, rotating nut and head with 4 spacer tabs of 2 mm thickness.
- Box composed by the base, rotating nut and head with 4 spacer tabs of 4 mm thickness.

The base allows the correct water drainage.

Extensions 50 and 100 mm height are suitable for Arkimede 60 Paving

# ARKIMEDE 60 - PAVING

## 3. USE

Used in external areas, terraces, pavements.  
Operating temperature: from - 40 ° C to + 80 ° C.

The use of polishing and sanding machines is not recommended.

## 4. FIELDS OF USE

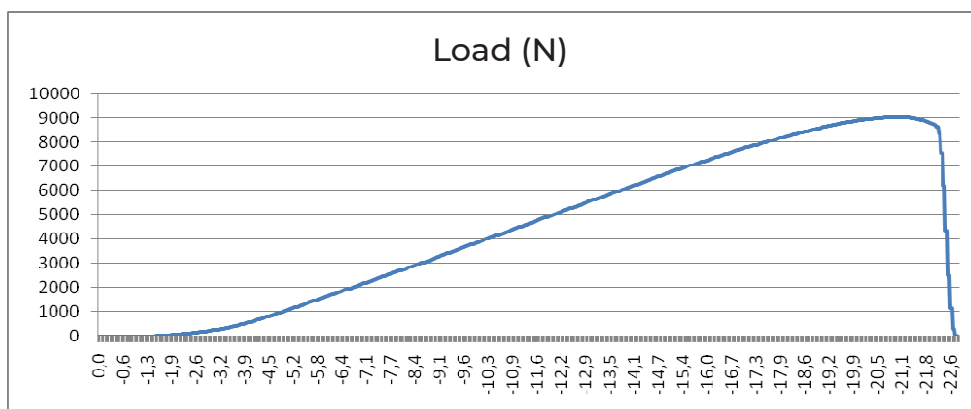
Waterproof membrane, hard insulating panels, screeds and solid and compact pose plans

## 5. LOAD TEST

### TEST 1

Code	Dimensions	Maximum Load [N]
TER09-1163/4Axx	h = 1.120 mm	9.033

A laying punch of 150 mm diameter was used to carry out the test.

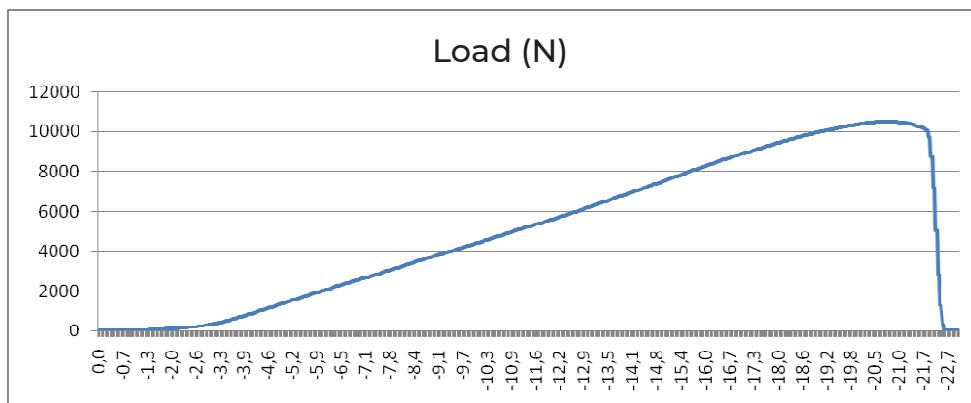


Max. Load	9.033 N
Bend at Max. Load	21,0 mm

### TEST 2

Code	Dimensions	Maximum Load [N]
TER09-1163/4Axx	h = 1.100 mm	10.467

A laying punch of 150 mm diameter was used to carry out the test.



Carico Max	Max. Load	10.467 N
Flessione a Carico Max	Bend at Max. Load	20,7 mm

## 6. TECHNICAL SPECIFICATION

Specification	Description	Unity	Price
Dak.O.TER09-1163/4AxxM	Supply and installation of ARKIMEDE 60 - Decking support with adjustable height starting from 60 mm. Base laying surface: 314 cm². Head diameter: 120 mm with a laying surface of 113 cm². Available versions: · Box composed by the base, rotating nut and head with 4 spacer tabs 2 or 4 mm thickness The base allows the correct water drainage. Made of PP (polypropylene). Used in external areas, terraces, pavements.	pc.	-
Dak.O.TER09-1163/4A2M	Arkimede 60 Paving - 4 spacer tabs for 2 mm joint.....	pc.	-
Dak.O.TER09-1163/4A4M	Arkimede 60 Paving - 4 spacer tabs for 4 mm joint.....	pc.	-